

**S BAND FM TRANSMITTER**

- **TRUE FM MODULATION**
- **HIGH RELIABILITY**
- **COMPACT DESIGN**
- **LOW POWER CONSUMPTION**
- **SMALL SIZE**

This unit is a competitively priced S-band transmitter intended for use for airborne communications. It is a compact, reliable unit with state of the art electrical specifications.

Electrical characteristics:

Output Frequency Band	2200-2400 MHz
Operating Frequency	User defined in the output band
Output Level	+37dBm min.
Frequency Stability	better than +/-2 ppm
Lock Up Time	0,5 sec maximum
Incident FM	5kHz
Output Impedance	50 ohm, VSWR: <1.4
Output Protection	Open / Short
Spurious	< - 60 dBc
Harmonics	< - 60 dBc
Modulation	true FM, positive sense
FM Deviation Sensitivity	1MHz/2V _{RMS}
Modulation Frequency Response	100 Hz – 2 MHz (+/-0.5dB)
Modulation Inputs Signal Level	2 Vpp
Harmonic Distorsion	2% max. @ +/-1MHz deviation
Modulation Input Impedance	10 kohm
Connectors	SMA female (RF) PT02E-8-4P (Modulation Input & +28VDC)
Power Supply	+28VDC +/-4V
Supply Over Voltage Protection	+40VDC/10msec
Supply Current	0.8A approx.
Dimension	92 x 67 x 25 mm without connectors
Weight	450grams

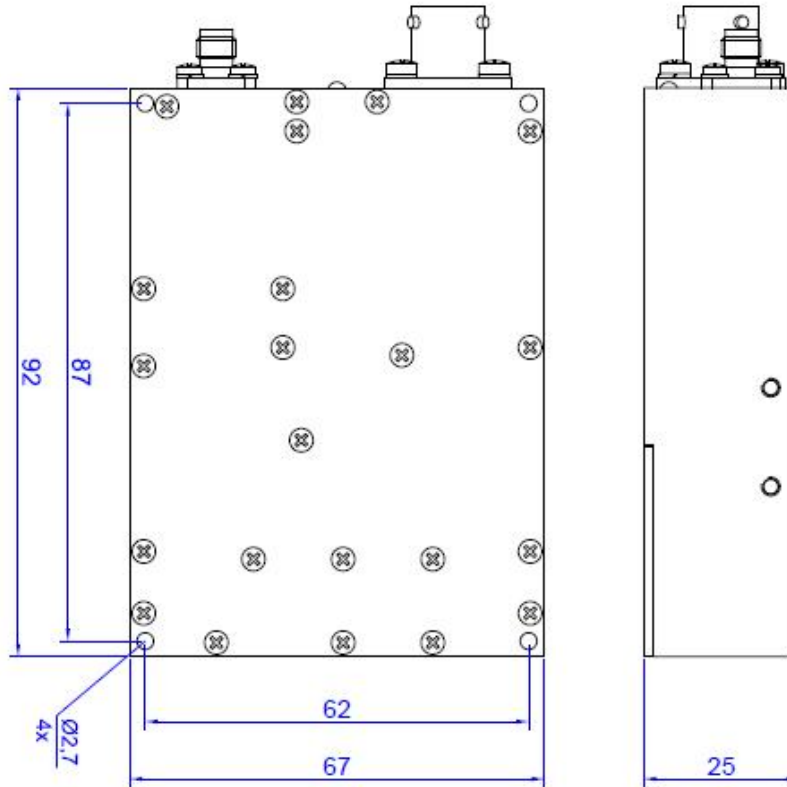
Environmental parameters

Operating Temperature Range	-40 to +71 degC
Storage temperature Range	-54 to +85 degC
Vibration	6g RMS random, 20Hz to 2kHz
Shock	½ Sine 100g 3 axes
Acceleration	100g, 3 axes
Altitude	up to 100000 ft
Humidity	up to 90%
EMI	IRIG-106 spec, MIL-STD-461 grade

Specifications are subject to change without notice.



Outline Dimension



BUMT20_Outline_Drawing

