

**400 MHz TETRA
DIGITAL MEDIUM REPEATER**

- **DIGITAL FILTER TECHNOLOGY (SDR)**
- **FLEXIBLE FILTER SELECTION**
- **FREQUENCY SHIFT FUNCTION**
- **HIGH DYNAMIC RANGE**
- **LOW POWER CONSUMPTION**
- **COMPACT SIZE**

This repeater is intended for use in 400 MHz out- and indoor TETRA systems. Based on the latest digital filter technology this model offers freedom for the users to select the best possible filter characteristics for the actual application type. It has perfect EVM parameters of <1% and low power consumption figures.

Supplied in a compact box, the BRTM31 is an ideal choice to be used in areas where the flexible filter selection is essential for smooth operation and/or network design. The unit can be monitored and set by local and remote control software.

Electrical characteristics:

Frequency Band Downlink	390 – 395 MHz*
Frequency Band Uplink	380 – 385 MHz*
Operator Frequency Bandwidth	5 MHz
Mode of Operation	channel or band selective duplex (upto 8 ch)
Max. ALC level	30 dBm @ downlink / 27 dBm @ uplink
Linear Output Power (Uplink and Downlink)	+24 dBm downlink / +22 dBm uplink typ.
ICP3	+50 dBm @ downlink / +47 dBm @ uplink
ACPR	60 dB @ 24 dBm downlink and 22 dBm uplink
Nominal Gain	76 dB
Gain Setting	76 to 46 dB in 1 dB steps
Gain Stability	< ± 1.5 dB (within oper. temp. range)
Input Noise Figure	5 dB typ. @ max gain
EVM	< 1% typ. (ETSI regulation < 10%)
Harmonics	According to the ETSI regulation
Spurious Radiation	According to the ETSI regulation
Local Leakage	According to the ETSI regulation
RF Connectors	N – female
Supply Voltage	100 - 240V / 50 – 60Hz AC (optional 48V DC)
Power Consumption	100 W
Weight	20 kg
Operating temperature range	0°C to + 40°C (optional -20°C to 55°C)
Cooling	Convection or optional fan
Wired Control	Local RS232 or Ethernet connection
Remote Wireless Control	Dial Up GSM modem and/or automatic SMS function
Application	In- or outdoor IP65
Dimension	420 x 400 x 175 mm

Specifications are subject to change without notice.

*available in any other standard TETRA bands too.

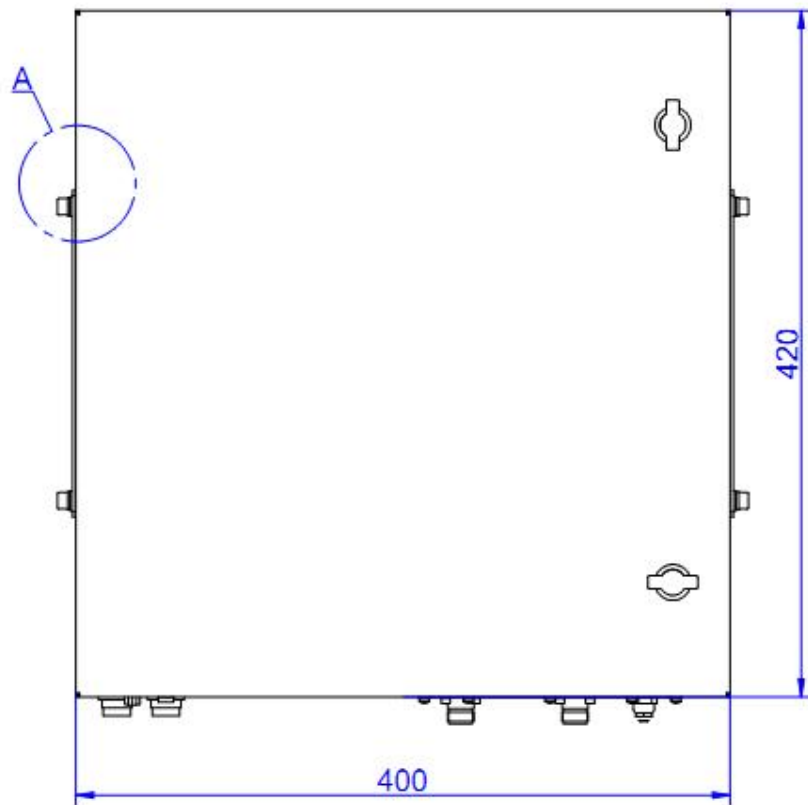
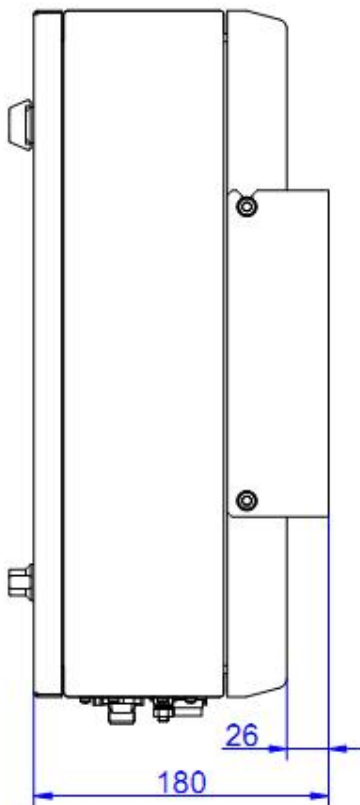
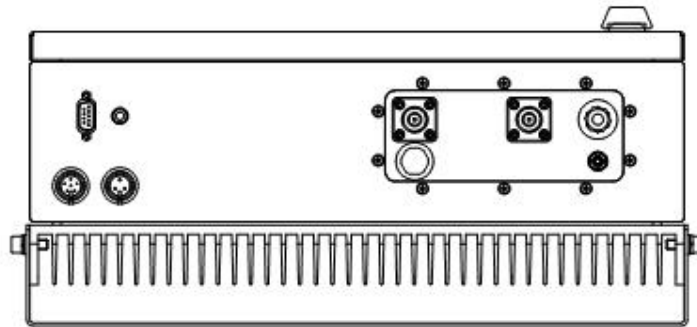
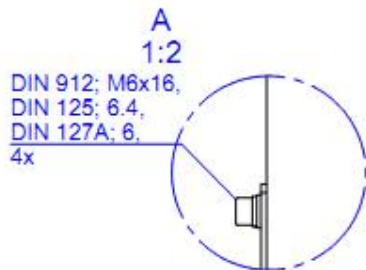




BRTM31

**400 MHz TETRA
DIGITAL MEDIUM REPEATER**

Outline dimensions (mm):



Optional in 19" rack





BRTM31

**400 MHz TETRA
DIGITAL MEDIUM REPEATER**

Picture:

