

**400 MHz TETRA
DIGITAL LARGE REPEATER**

- **4 W RF OUTPUT POWER**
- **DIGITAL FILTER TECHNOLOGY (SDR)**
- **FLEXIBLE FILTER SELECTION**
- **FREQUENCY SHIFT FUNCTION**
- **HIGH DYNAMIC RANGE**
- **LOW POWER CONSUMPTION**
- **COMPACT SIZE**

This repeater is intended for use in 400 MHz out- and indoor TETRA systems. Based on the latest digital filter technology this model offers freedom for the users to select the best possible filter characteristics for the actual application type. It has perfect EVM parameters of <1% and low power consumption figures.

Supplied in a compact box, the BRTL31 is an ideal choice to be used in areas where the flexible filter selection is essential for smooth operation and/or network design. The unit can be monitored and set by local and remote control software.

Electrical characteristics:

| | |
|---|---|
| Frequency Band Downlink | 390 – 395 MHz* |
| Frequency Band Uplink | 380 – 385 MHz* |
| Operator Frequency Bandwidth | 5 MHz |
| Mode of Operation | channel or band selective duplex (upto 8 ch) |
| Max. ALC level | 36 dBm @ downlink / 33 dBm @ uplink |
| Linear Output Power (Uplink and Downlink) | +36 dBm downlink / +24 dBm uplink typ. |
| ICP3 | +68 dBm @ downlink / +50 dBm @ uplink |
| ACPR | 60 dB @ 36 dBm downlink and 24 dBm uplink |
| Nominal Gain | 90 dB |
| Gain Setting | 90 to 60 dB in 1 dB steps |
| Gain Stability | < ± 1.5 dB (within oper. temp. range) |
| Input Noise Figure | 4,5 dB typ. @ max gain |
| EVM | < 1% typ. (ETSI regulation < 10%) |
| Harmonics | According to the ETSI regulation |
| Spurious Radiation | According to the ETSI regulation |
| Local Leakage | According to the ETSI regulation |
| RF Connectors | N – female |
| Supply Voltage | 100 - 240V / 50 – 60Hz AC (optional 48V DC) |
| Power Consumption | 120 W |
| Weight | 25 kg |
| Operating temperature range | 0°C to + 40°C (optional -20°C to 55°C) |
| Cooling | Convection or optional fan |
| Wired Control | Local RS232 or Ethernet connection |
| Remote Wireless Control | Dial Up GSM modem and/or automatic SMS function |
| Application | In- or outdoor IP65 |
| Dimension | 420 x 400 x 175 mm |

Specifications are subject to change without notice.

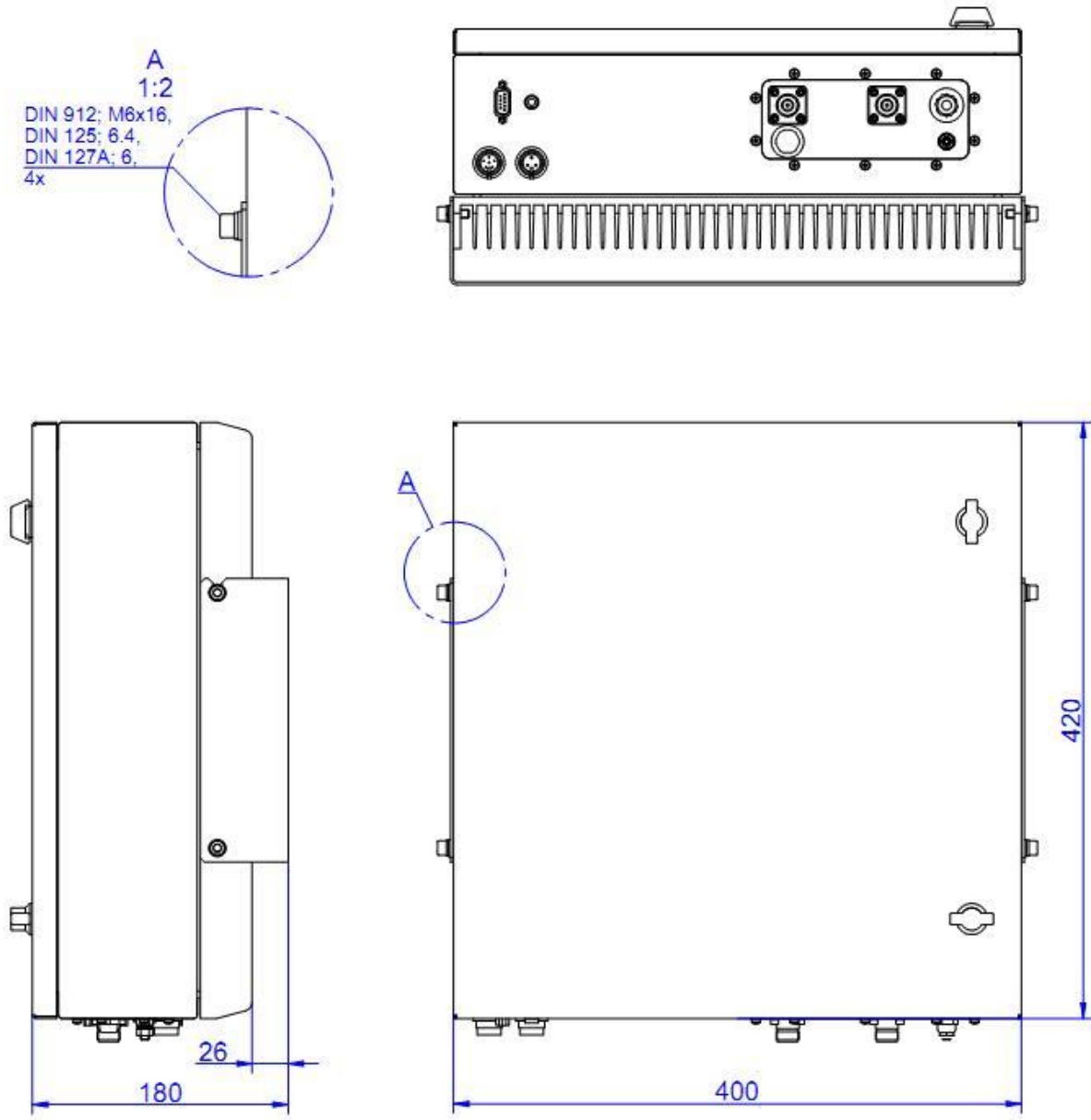
*available in any other standard TETRA bands too.



BRTL31

400 MHz TETRA DIGITAL LARGE REPEATER

Outline dimensions (mm):



BRTL31 Outline drawing -v02

Optional in 19" rack





BRTL31

**400 MHz TETRA
DIGITAL LARGE REPEATER**

Picture:

