

**TETRA OPTICAL
MACRO SLAVE REPEATER**

- **4W MAX ALC RF OUTPUT POWER**
- **HIGH SENSITIVITY**
- **HIGH DYNAMIC RANGE**
- **SMALL SIZE**

This repeater is intended to use for TETRA in or outdoor optical fibre systems. It is a compact and reliable unit, and it is especially advantageous to use it in areas where off air transmission is not preferable (like tunnels, large buildings etc.). The base station side optical master unit can communicate through optical fiber with slave unit on repeater side, which provides high flexibility in system build-up. This very economical solution can be installed easily, and the repeater can be set and monitored using the bundled remote control software.

Electrical characteristics:

Optical Repeater Technical Parameters	
Parameters	Remote Site Slave Repeater
Frequency Band Uplink	380 – 385 MHz *
Frequency Band Downlink	390 – 395 MHz *
Nominal Gain	60 dB
Gain Setting	30 to 60 dB adjustable in 1dB step
ICP3 Downlink	> 68 dBm typ.
Linear Output Power	+36 dBm ** @ -36dBm IM
Max. ALC Level	+36 dBm **
Uplink Path Noise Figure	< 5 dB @ max. gain
Pass Band Ripple	< ±1,5 dB max.
Gain Stability	< ±1,5 dB (within operating temp. range)
Optical Module Maximum RF Input Power	+5 dBm
Optical Connectors	LC/PC
RF Connectors	N-female
Power Supply	100 - 240 VAC / 50 -60 Hz, optional DC 48 V
Power Consumption	< 120 W
Weight	25 kg
Size	420 x 400 x 175 mm
Operating Temperature Range	0°C to +45°C (optional -25°C to +55°C ***)
Storage Temperature Range	-30°C to +70°C
Local Control	RS232
Remote Control	Through optical fiber with master unit
Degree of Protection	Outdoor

(*) Other TETRA or VHF bands are also possible.

(**) According to the customer request other downlink RF power level version also possible.

(***) with extra heatsink (40mm à 80mm)

Specifications are subject to change without notice.

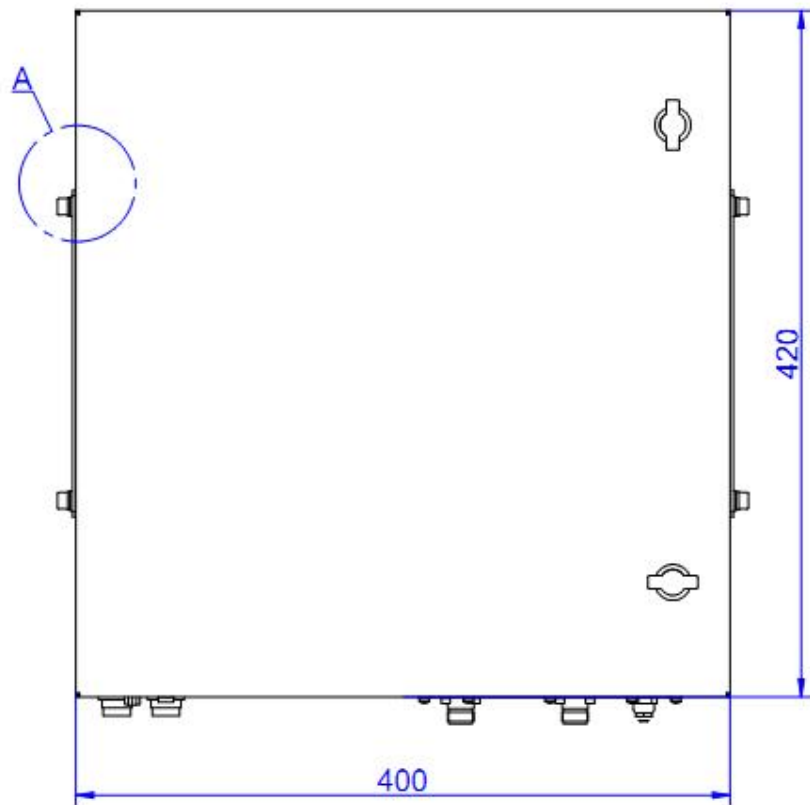
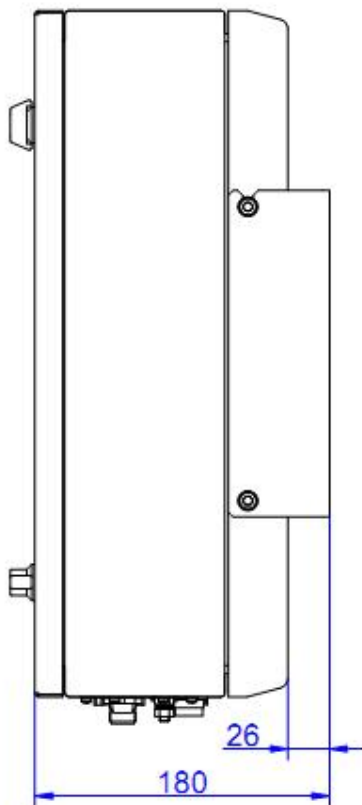
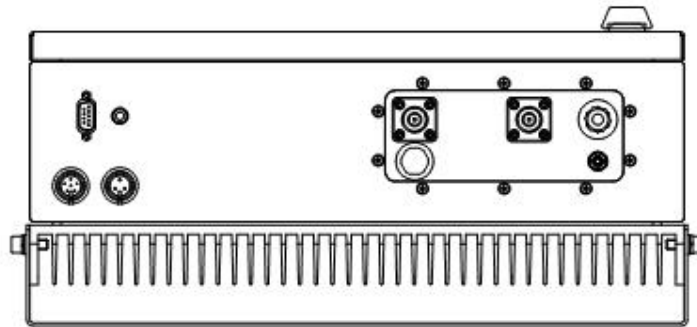
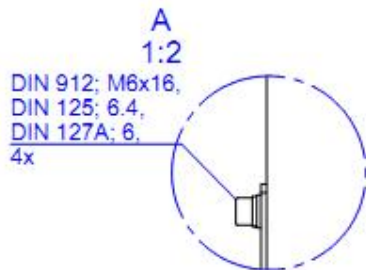




BRTF14

**TETRA OPTICAL
MACRO SLAVE REPEATER**

Outline dimensions (mm):



Optional in 19" rack

